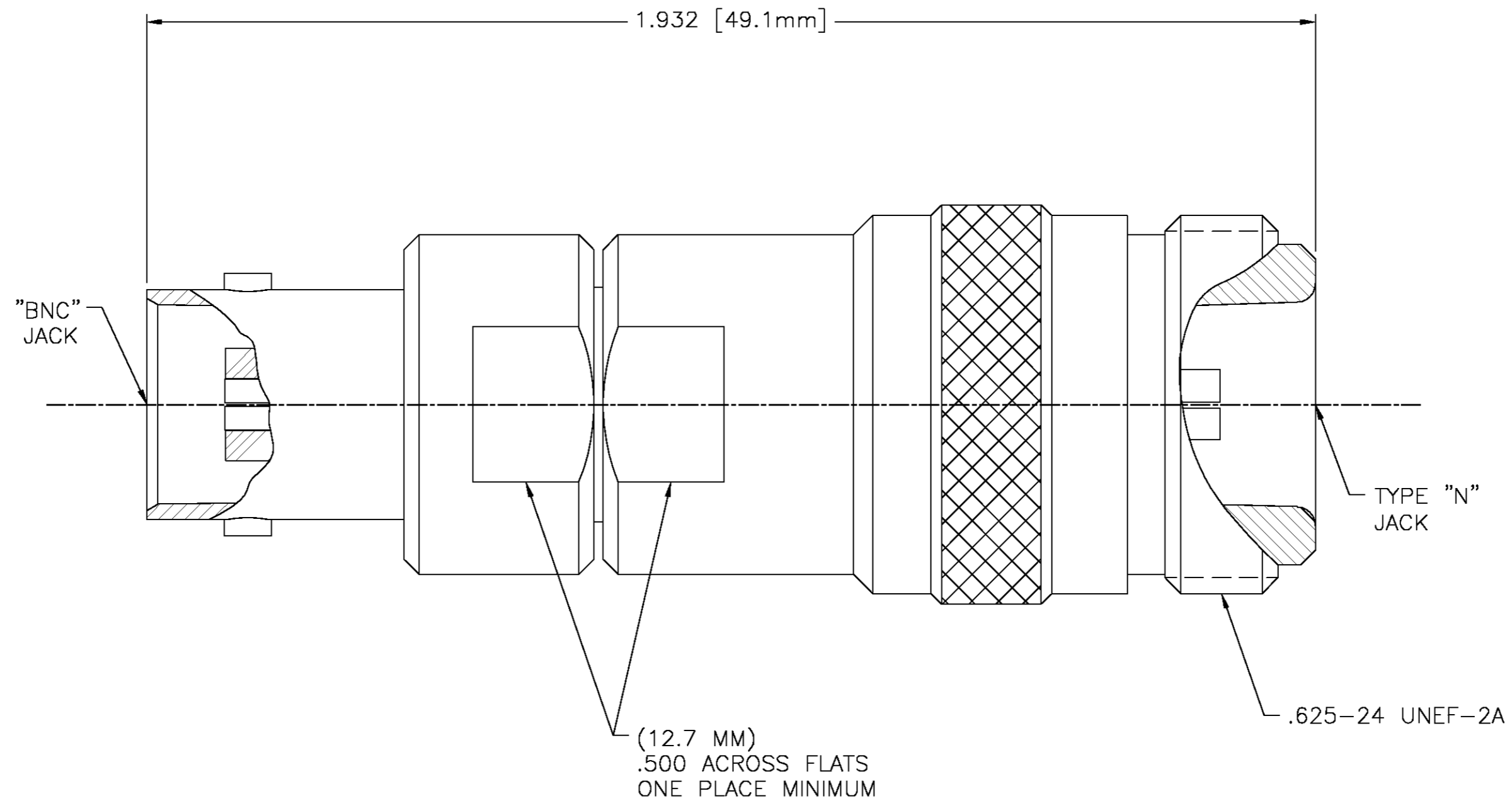


THIS DRAWING IS UNPUBLISHED. RELEASED FOR PUBLICATION
 © COPYRIGHT BY TYCO ELECTRONICS CORPORATION. ALL RIGHTS RESERVED.

LOC	DIST	REVISIONS			
P	LTR	DESCRIPTION	DATE	DWN	APVD
HC	00	A	RELEASED ON TYCO FORMAT	24APR03	GV DC



MATERIAL:
 CENTER CONDUCTOR- BERYLLIUM COPPER PER ASTM-B196, ALLOY C17300 COND H.
 OUTER CONDUCTOR- HALF HARD BRASS ASTM-B-16

TYPE "N" JACK- STAINLESS STEEL
 PER ASTM A4B4 & A5B2
 CLASS 303,

DIELECTRIC- TEFLON PER ASTM-D-1457

PLATING:
 INNER CONDUCTOR- GOLD PER MIL-G-45204
 OUTER CONDUCTOR- NICKEL PER QQ-N-290
 TYPE "N" JACK- PASSIVATED PER QQ-P-35

THIS DRAWING IS A CONTROLLED DOCUMENT.		DWN G. VIERA 24APR03	tyco Tyco Electronics Corporation Harrisburg, PA 17105-3608	
DIMENSIONS: INCHES		CHK D. CAMELIO 24APR03	NAME N JACK TO BNC JACK ADAPTER (3080-2320-00)	
TOLERANCES UNLESS OTHERWISE SPECIFIED: 0 PLC ± - 1 PLC ± - 2 PLC ± - 3 PLC ± .005 4 PLC ± - ANGLES ± 1°		APVD D. CAMELIO 24APR03	RESTRICTED TO	
MATERIAL		PRODUCT SPEC	SIZE A2	CAGE CODE 00779
FINISH		APPLICATION SPEC	DRAWING NO 1057350-1	
		WEIGHT	SCALE 5:1	
		CUSTOMER DRAWING	SHEET 1 OF 1	
			REV A	